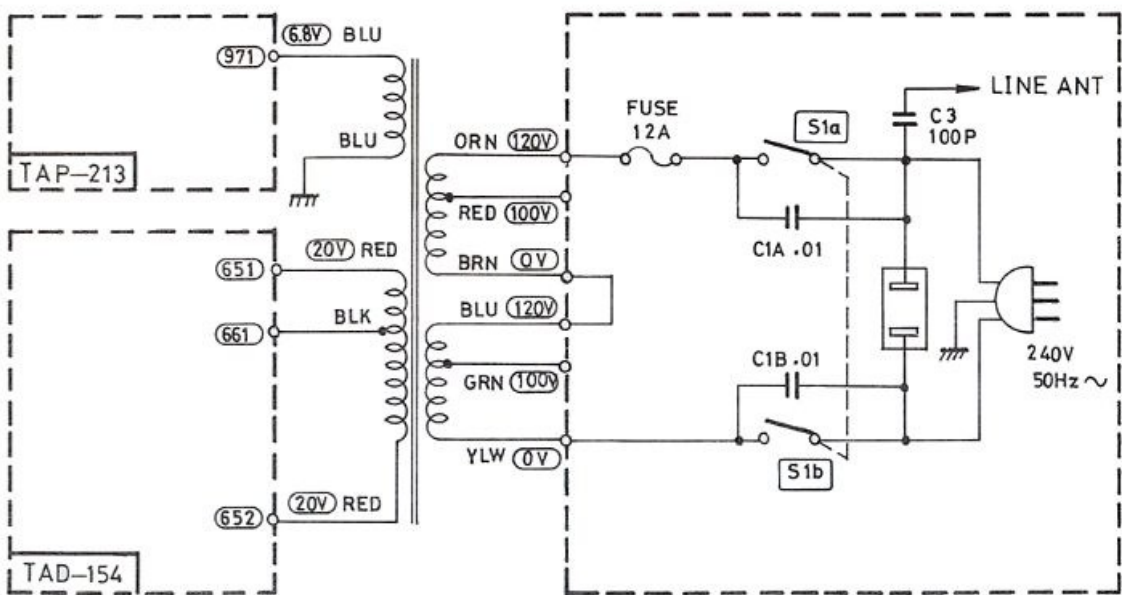


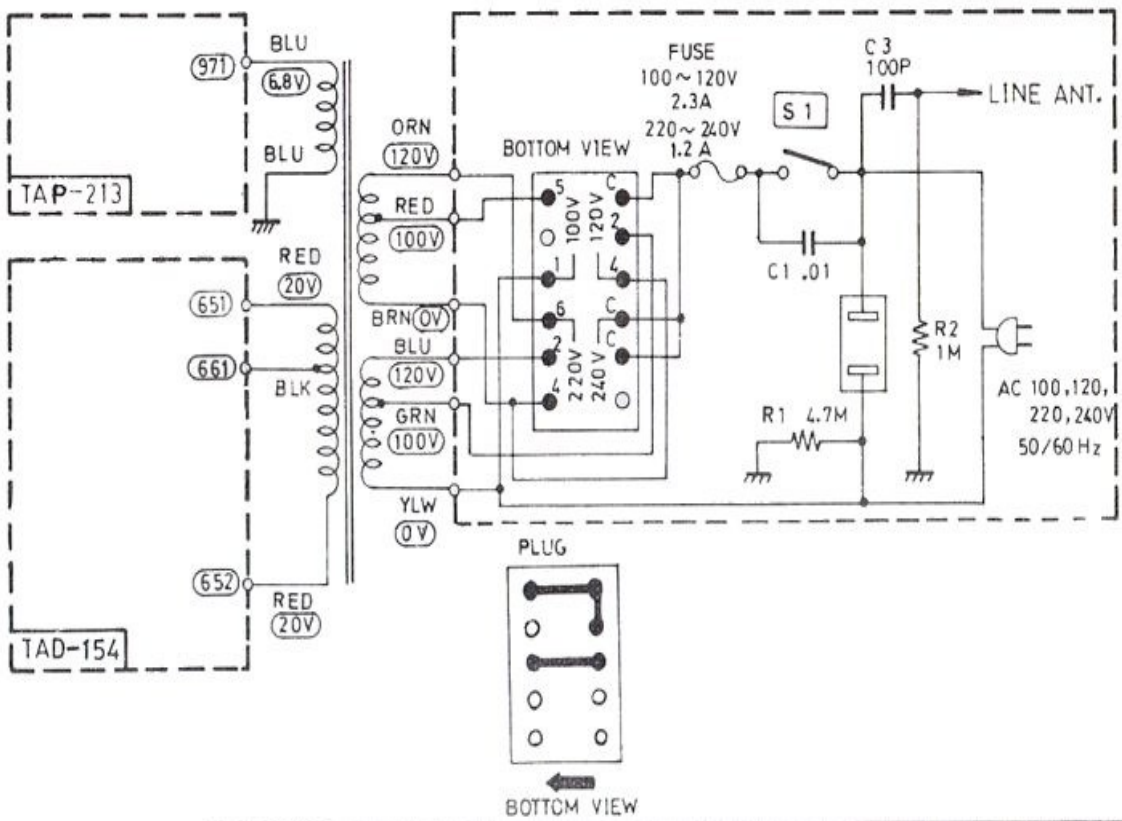
(A) FOR AUSTRARIA AND U.K.

■ PRIMARY CIRCUIT (240V 50Hz~)



(F) FOR EUROPE

■ PRIMARY CIRCUIT (AC 100, 120, 220, 240V 50/60Hz)



(E) FOR EUROPE

■ PRIMARY CIRCUIT (220V 50Hz~)

